



**INTEGRITY BLOCK™**



*Shown: Architectural/Structural Line*

# **Architectural, Structural, and Landscape Line**

The World's First Green Replacement for Concrete Masonry Units



# INTEGRITY BLOCK™

Inherently sustainable, Integrity Block is made from up to 50% pre-consumer recycled content and 40% less energy to manufacture, resulting in a reduced carbon footprint.



*Shown: Landscape Line*

Build GREEN with

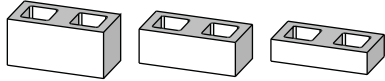
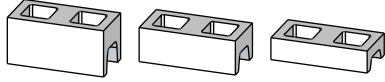
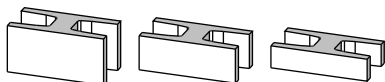
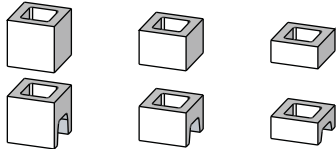
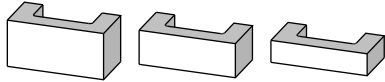
# Integrity Block

**Go Green for About the Same Price** - Build green without the premium often associated with green building materials. Integrity Block is competitively priced compared with standard CMU.

**Natural Finish** - Engineered from a proprietary soil composite, Integrity Block offers distinctive and natural colors for unique architectural designs and a finish superior to standard structural block.

**Same Building Process** - Use in place of CMU with no change to the building process. Integrity Block is the equivalent structural strength of standard CMU and meets all relevant ASTM standards for load bearing concrete masonry units (ASTM C-90).

**Take the LEED** - In place of traditional CMU, Integrity Block can contribute valuable LEED credits in the areas of optimizing energy performance, recycled content, regional materials, and innovation and design (based on project).

<b>Standard</b>	8 x 4 x 16 in. 8 x 6 x 16 in. 8 x 8 x 16 in.	
<b>Bond Beam</b>	8 x 4 x 16 in. 8 x 6 x 16 in. 8 x 8 x 16 in.	
<b>Double Open-ended Bond Beam</b>	8 x 4 x 16 in. 8 x 6 x 16 in. 8 x 8 x 16 in.	
<b>Half Blocks</b> (standard & bond beam)	8 x 4 x 8 in. 8 x 6 x 8 in. 8 x 8 x 8 in.	
<b>Pilaster</b>	8 x 4 x 16 in. 8 x 6 x 16 in. 8 x 8 x 16 in.	
<b>Landscape Interlocking</b>	8 x 5 x 16 in.	