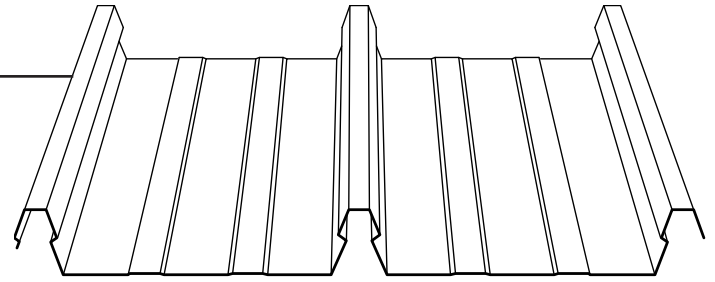
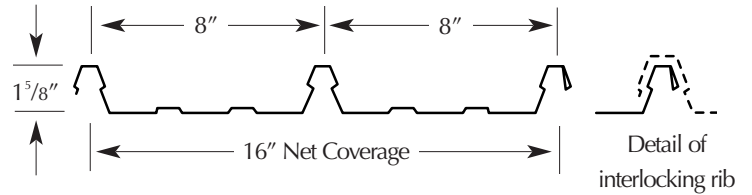


# Klip-Rib®

Featuring  
**Zincalume®** For Twice the Life!  
 Zincalume combines the strength of steel with the corrosion resistance of aluminum for twice the life of most zinc coatings.



**K**lip-Rib® is a performance rated structural and architectural standing seam panel system that snaps positively over concealed anchor clips for quick installation and exceptional strength. Klip-Rib® is the preferred panel for commercial, educational and institutional roofs in all climates.



Klip-Rib® Section Properties					
Gauge	Wt. (lbs./ft. <sup>2</sup> )	S+ (in. <sup>3</sup> /ft.)	I+ (in. <sup>4</sup> /ft.)	S- (in. <sup>3</sup> /ft.)	I- (in. <sup>4</sup> /ft.)
22	1.64	0.1059	0.1347	0.0928	0.1044
24	1.29	0.0833	0.1059	0.0702	0.0748

- ❑ Klip-Rib® has been tested in accordance with UL580 and meets UL Class 90 wind uplift requirements.
- ❑ Tested in accordance with ASTM E1592 for wind uplift capacity.
- ❑ Has been tested for air infiltration per ASTM E1680, and water infiltration per ASTM E1646.
- ❑ Can be installed over solid substrates or spaced support members.
- ❑ Integral ribs have the bold appearance of a batten, but without separate snap-on battens. Preferred for high visibility applications with less likelihood of oil canning than panels with wide flat areas.
- ❑ Klip-Rib®'s locking seam reduces field labor by eliminating field seaming.
- ❑ Its patented 21-gauge clip engages two ribs and allows panels to be disengaged if needed.
- ❑ Can be installed on pitches as low as 1:12.
- ❑ Panels are stiff enough to be shipped without wooden crates. The stretch wrap packaging protects the panels from water and dirt and reduces job site waste.
- ❑ Klip-Rib® can be crimp curved for radiused applications.
- ❑ Available in a wide variety of standard colors in the DuraTech™ 5000 (polyvinylidene fluoride) coating system, Zincalume® Plus and ZACTique® II treatment.

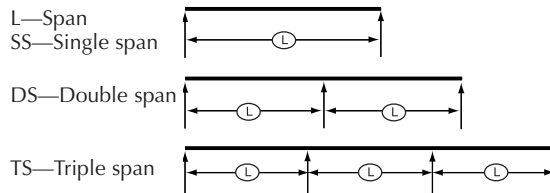
## Allowable Load (lbs./ft<sup>2</sup>)

Gauge	Span	Conditions	SPAN								
			3'-0"	3'-6"	4'-0"	4'-6"	5'-0"	5'-6"	6'-0"	6'-6"	7'-0"
22	SS	f	187	137	104	82	66	54	45	38	33
		L/240	187	137	104	82	66	53	41	32	26
	DS	f	163	120	91	72	58	47	40	34	29
		L/240	163	120	91	72	58	47	40	34	29
	TS	f	205	150	114	90	73	60	50	42	36
		L/240	205	150	114	90	73	60	50	42	36
24	SS	f	147	108	82	65	52	43	36	30	26
		L/240	147	108	82	65	52	42	32	25	20
	DS	f	124	90	69	54	44	36	30	25	22
		L/240	124	90	69	54	44	36	30	25	22
	TS	f	155	113	86	68	55	45	38	32	27
		L/240	155	113	86	68	55	45	38	32	27

- Notes:
- Steel conforms to ASTM A653 (Galvanized) or ASTM A792 (Zincalume®), minimum yield 40,000 psi.
  - Values are based on the American Iron and Steel Institute (AISI) "Specifications for the Design of Cold-Formed Steel Structural Members" (1986 edition, with 1989 Addendum).
  - Panel attachment capacity under negative (suction) loading may require a reduction in load from the tabulated values. For assistance, call your AEP Span Representative.
  - Spans greater than 5'0" do not have a UL90 rating but are acceptable under certain conditions.
- For slopes lower than 2:12, applications in snowfall areas, or spans greater than 5', please contact your AEP Span Representative for recommendations.**
- Specifications subject to change without notice.*

### Loading Table Legend

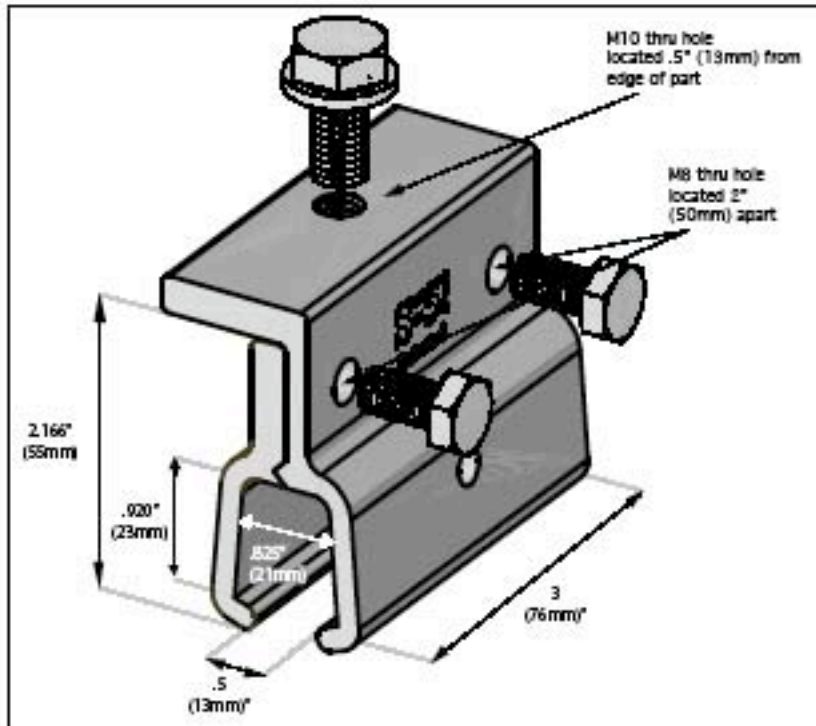
f—Load limited by flexural bending stress  
 L/240—Load limited by a deflection of 1/240 of the span



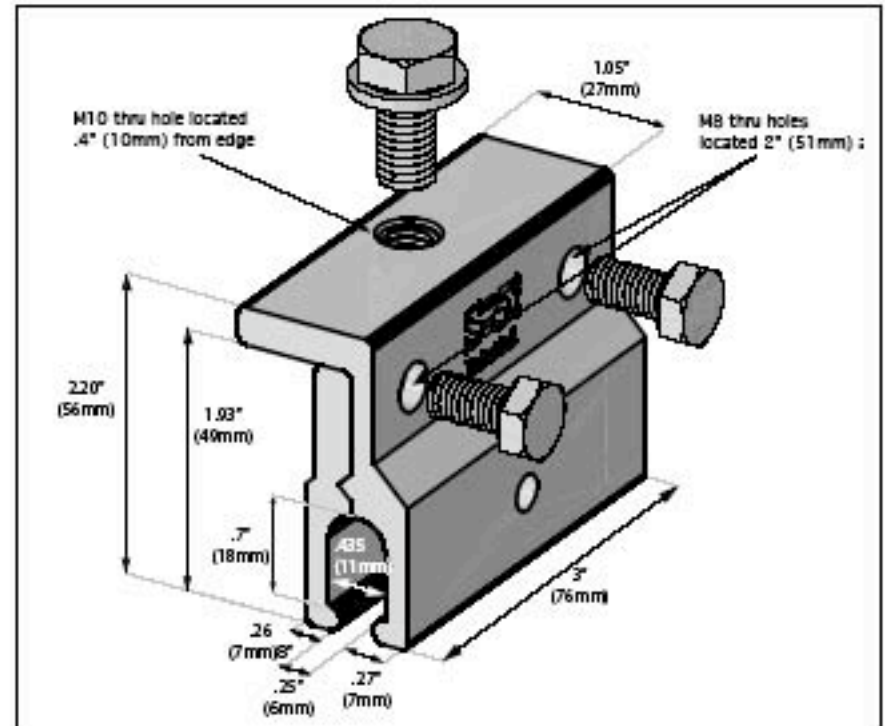
# S-5!

™ Unprecedented Innovation  
Unmatched Quality  
Unbelievable Price

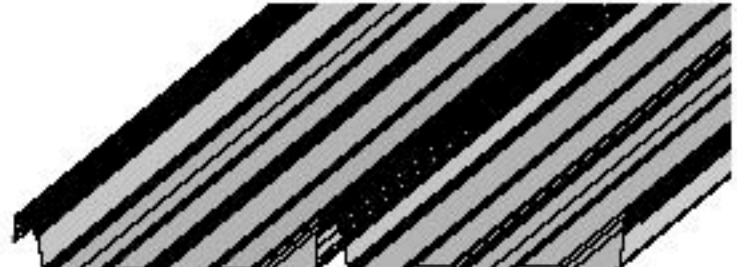
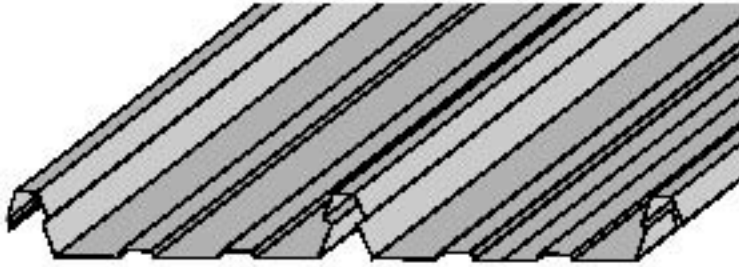
## S-5-K



## S-5-R



Example Profiles

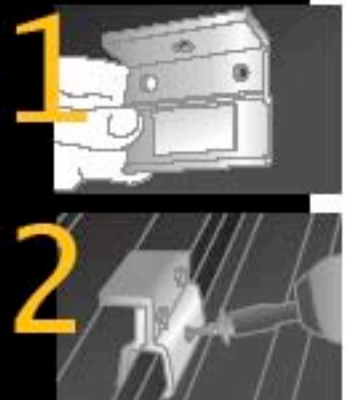


The S-5-K and S-5-R clamps are each furnished with the hardware shown above. A structural aluminum attachment clamp, the S-5-K and S-5-R is compatible with most common metal roofing materials excluding copper. All included hardware is stainless steel. Please visit [www.S-5.com](http://www.S-5.com) for more information including CAD details, metallurgical compatibilities and specifications.

The S-5-K and S-5-R clamps have been tested for load-to-failure results on a variety of relevant profiles from leading manufacturers of panels. The independent lab test reports found on our website at [www.S-5.com](http://www.S-5.com) prove that S-5!™ holding strength is unmatched in the industry.

### Optional sheet metal screw applications

Prior to mating the clamp halves, place a piece of 3/4" x 1/8" thick butyl tape on the inside of the flanged clamp wall, covering the lower hole as shown. Once clamp is in place and M8 bolts have been tightened, fasten clamp to seam using a sheet 1/4-14" tek-1 (lap-tek) screw through the pre-punched hole. Doing this increases the holding strength by approximately 500%.



S-5!™ Warning! Please use this product responsibly!

Products are protected by multiple U.S. and foreign patents. For maximum holding strength, bolts should be tensioned to the recommended torque. For published data regarding holding strength, bolt torque, patents and trademarks visit the S-5!™ website at [www.S-5.com](http://www.S-5.com).

Copyright 2008, Metal Roof Innovations, Ltd. S-5!™ products are patented by Metal Roof Innovations, Ltd.

Distributed by



# S-5!<sup>TM</sup>

Unprecedented Innovation  
Unmatched Quality  
Unbelievable Price



S-5-K



S-5-R

## The S-5-K and S-5-R Clamps

The S-5-K clamp is designed for use on Klip-Rib®, Klip-Lok® and roofing types with similar profiles. It is most often placed on the lapped rib, but with a supplemental screw fastener can also be used at intermediate ribs.

The S-5-R clamp was specifically designed for those profiles manufactured by Rib Roof® and roofing types with similar profiles.

These clamps can be installed with or without a supplemental sheet metal screw, providing truly unsurpassed holding power. When using the clamps for snow retention, the assembly should be specifically engineered to each individual project for maximum protection. See [www.S-5.com](http://www.S-5.com) for full details.

Installation is as simple as mating the clamp halves and starting the M8 bolts. Position clamp on seam and tighten the M8 bolt with a ratchet or electric tool while securing the clamp with a locking C-clamp.

**The S-5-K and S-5-R clamps were designed to address the unique needs of these very distinctive profiles.**



Attach almost **anything** to standing seam metal roofs without piercing the panel!

888-825-3432

[www.S-5.com](http://www.S-5.com)



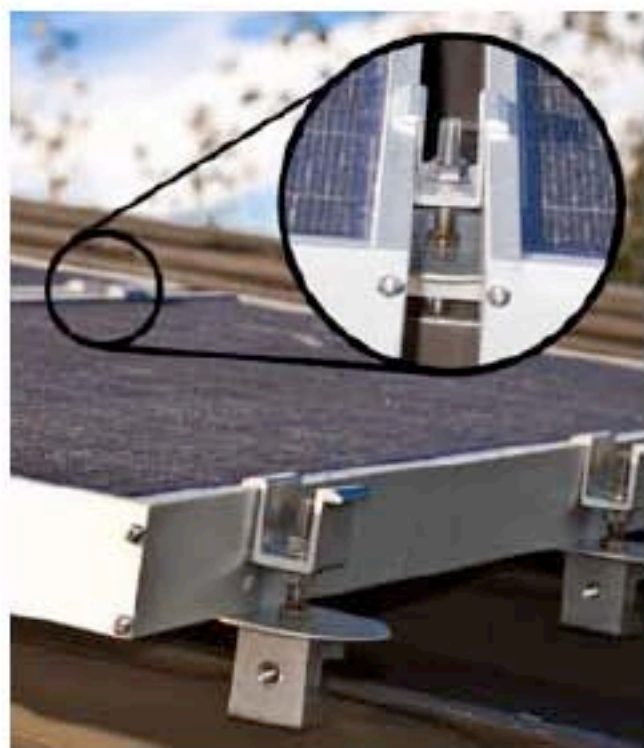
# S-5!<sup>TM</sup>

Unprecedented Innovation  
Unmatched Quality  
Unbelievable Price

S-5-PV Kit

The concept of combining photovoltaic arrays with standing seam metal roofing is growing—and for good reasons. A standing seam metal roof has a life expectancy consistent with that of crystalline PV modules. A 30-year power source, on a 30-year roof with zero penetrations couples the most sustainable roof system available with alternative power generation!

The challenge has been in how to attach the PV modules to the standing seam roof systems without



Compatible service life, penetration free-attachment, lower installation costs, cooler roofs, rising energy costs and increased environmental concerns all spell a bright, sunny future for PV and standing seam metal roofs. S-5!<sup>TM</sup> makes it easy.

jeopardizing roof material and weather-tightness warranties. The answer is the S-5-PV Kit and the S-5!<sup>TM</sup> Mini.

With the S-5-PV Kit and any of our Mini clamps, installing a leak-free solar assembly is a quick and easy process. The S-5!<sup>TM</sup> Mini clamps are a handy way to install everything from the PV modules to the electrical chases.



Attach almost **anything** to standing seam metal roofs without piercing the panel!

888-825-3432

www.S-5.com



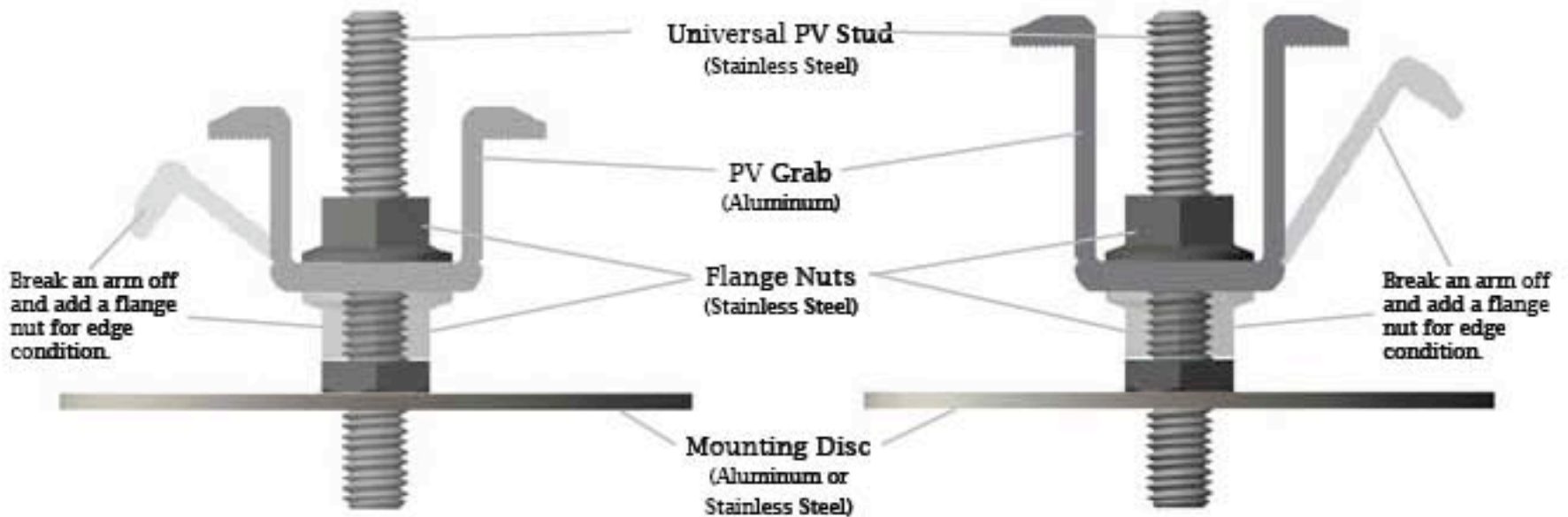
# S-5!

**TM Unprecedented Innovation**  
**Unmatched Quality**  
**Unbelievable Price**

## S-5-PV Kit

S-5-PV Kit-30

S-5-PV Kit-41



The S-5-PV Kits are furnished with the hardware shown above, excluding the attachment clamp, which is supplied separately. S-5-PV Kits are compatible with most common metal roofing materials. Please visit [www.S-5.com](http://www.S-5.com) for more information including CAD details, metallurgical compatibilities and specifications.

Providing flexibility S-5!™ offers two kits to accommodate various PV frame thicknesses. The S-5-PV Kit-30 accommodates frame thicknesses of 1.2" (30mm) to 1.9" (48mm). The S-5-PV Kit-41 accommodates frame thicknesses of 1.6" (41mm) to 2.4" (60mm). Mounting disc is offered in aluminum for aluminum clamps or stainless steel for brass clamps on copper roofing.

Wind dynamics are complex, thus, each system should be reviewed by a qualified licensed professional who understands wind effects on metal roof design and construction prior to purchase and installation. For more detailed information including specifications, installation instructions and CAD drawings visit [www.S-5.com](http://www.S-5.com) or your S-5-PV Kit distributor.

Patents pending.  
\*Clamp sold separately.

**The S-5-PV Kit is a revolutionary new solution to attach solar PV panels to standing seam metal roofs!**

S-5!™ Warning! Please use this product responsibly!

Products are protected by multiple U.S. and foreign patents. Visit the website at [www.S-5.com](http://www.S-5.com) for complete information on patents and trademarks. For maximum holding strength, setscrews should be tensioned and re-tensioned as the seam material compresses. Clamp setscrew tension should be verified using a calibrated torque wrench between 160 and 180 inch pounds when used on 22ga steel and between 130 and 150 inch pounds for all other metals and thinner gauges of steel. Consult the S-5!™ website at [www.S-5.com](http://www.S-5.com) for published data regarding holding strength.

Copyright 2008, Metal Roof Innovations, Ltd. S-5!™ products are patented by Metal Roof Innovations, Ltd.

version 080808

Distributed by

